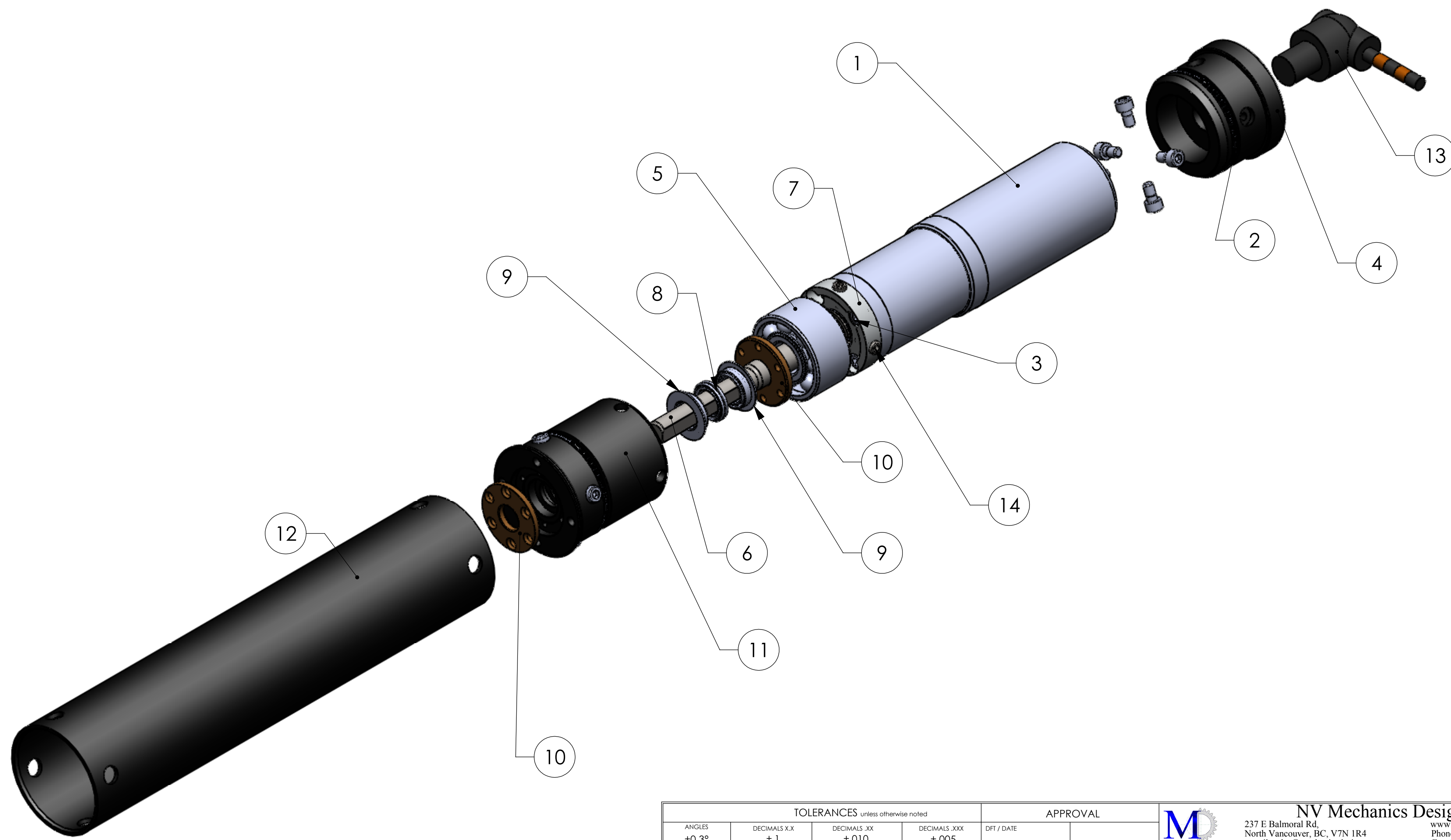
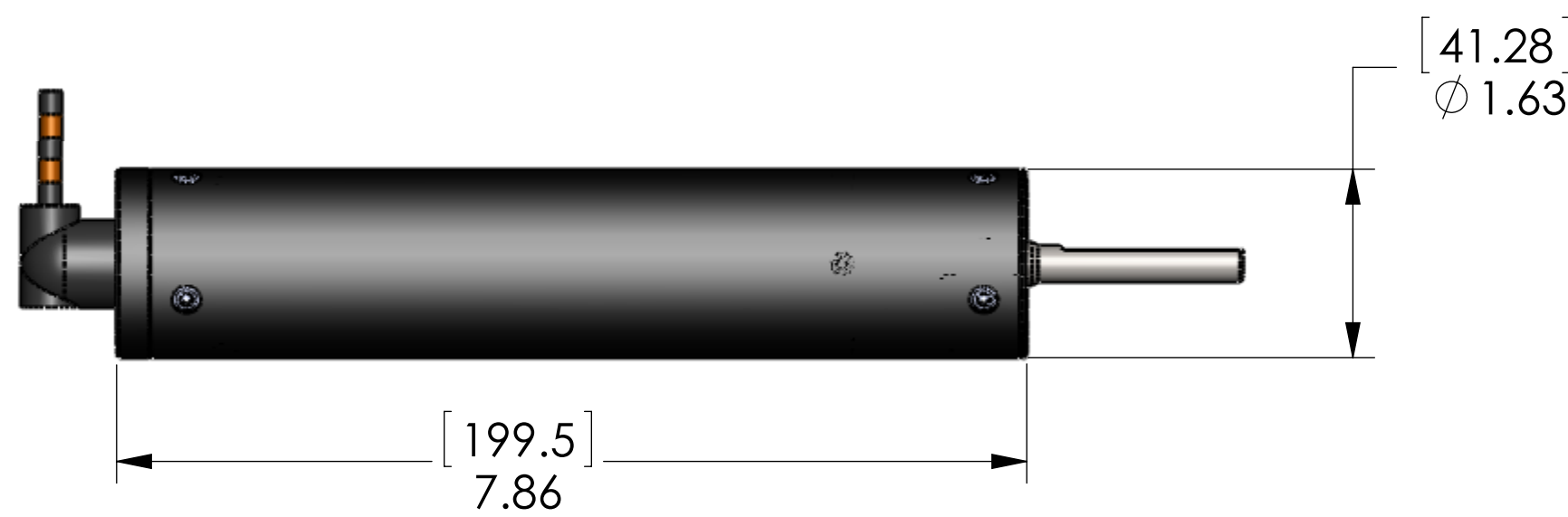
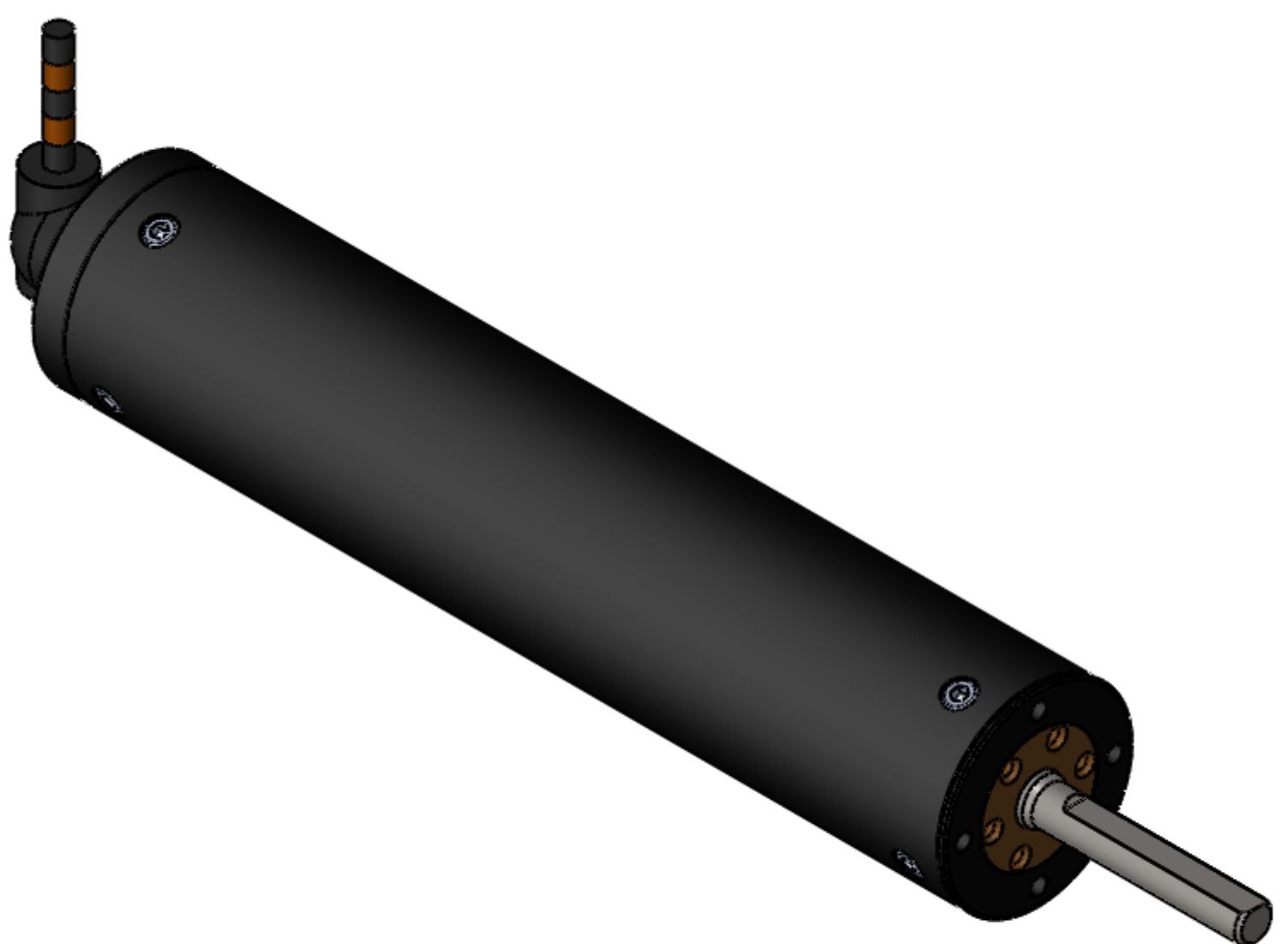


ROTARY ACTUATOR MDM-SR10-UM1000-1	
MOTOR TYPE	BRUSH MOTOR
NOMINAL VOLTAGE	30 VDC
NOMINAL TORQUE (MAX CONTINUOUS TORQUE)	6.2 Nm
MAX CONTINUOUS CURRENT	2.9 A
MAX OUTPUT SHAFT SPEED	63 RPM AT GEAR RATIO 66:1
DIAMETER	1.63 IN OR 41.3 mm
LENGTH	7.86 IN OR 200 mm
CONNECTOR	25-5 MRBS UNDERWATER CONNECTOR 2 PINS

BILL OF MATERIALS						
ITEM #	QTY.	UOM	PART NUMBER	DESCRIPTION	MATERIAL DESCRIPTION	Vendor
1	1	EA	MD-PT102-1	DC GEAR MOTOR		
4	1	EA	MDM-SR10-UM1006-0	END CAP	17-4 PH COND H1150	
6	1	EA	MDM-SR10-UM1003-1	SHAFT	17-4 PH COND H1150	
7	1	EA	MDM-SR10-UM1002-0	MOSTOR MOUNT PLATE	17-4 PH COND H1150	
10	2	EA	MDM-SR10-UM1004-2	UNDERWATER MOTOR	ALUMINUM BRONZE	
11	1	EA	MDM-SR10-UM1001-2	FRONT END CAP	17-4 PH COND H1150	
12	1	EA	MDM-SR10-UM1005-1	GEORGHITA	17-4 PH COND H1150	



- NOTES:
1. MATERIAL CERTIFICATION REQUIRED
 2. UOS DIMENSION TOLERANCES PER TABLE
 3. UOS BREAK ALL SHARP EDGES .03".
 4. UOS FILLET RADII .015" MAX.
 5. UOS SURFACE QUALITY 63 μ in
 6. ALUMINUM PARTS TO BE HARD ANODIZE, PER MIL-A-8625, TYPE III, CLASS 1, COLOR TBD

REVISIONS				
ZONE	REV.	DESCRIPTION	DATE	APPROVED

TOLERANCES unless otherwise noted				APPROVAL	
ANGLES ±0.3°	DECIMALS .XX ±.1	DECIMALS .XXX ±.010	DECIMALS .XXXX ±.005	DR / DATE	
Unless otherwise noted, all dimensions are in inches. DO NOT SCALE. Work to dimensions shown.				CHK / DATE	
FINISH				APPRO / DATE	
INTERPRET PER ANSI Y14.3 AND ANSI Y14.5M		DWG FILE NAME MDM-SR10-UM1000-1.SLDDRW			
This document contains confidential information. All rights are owned by NV Mechanics Design Ltd. No use or disclosure is to be made without the written permission of NV Mechanics Design Ltd.					

NV Mechanics Design Ltd.
 237 E Balmoral Rd.
 North Vancouver, BC, V7N 1R4
 e-mail: sales@mechanicsdesign.com
 www.mechanicsdesign.com
 Phone: 604-250-3375
 Fax: 604-525-5570

**SUBSEA ACTUATOR
 MAXON 24 VDC 60 RPM**

SIZE: **D** WBS: DWG. NO.: **MDM-SR10-UM1000-1**

SCALE: WEIGHT: 1.05 LBS SHEET: 1 OF 1